

TABLE TOP BREAD SLICER **PICO/PICOMATIC**

Features

- ◆ Slices up to 200 loaves/hour
- ◆ Attractive, User-Friendly Design
- ◆ Easily Handles Large Round Loaves
- ◆ Soundproof Body in Technopolymer materials
- ◆ Compact Design for Small Spaces
- ◆ Available in Manual and Automatic Models
- ◆ Standard Slice sizes include 7/16" (11mm), 1/2" (13mm) and 5/8" (16mm)
- ◆ White Painted Body Standard

Options

- ◆ Custom Slice Sizes from 3/8" (9mm) to 1" (25mm)
- ◆ Available in 5 optional colors: Black, Red, Ivory, Silver, and Brushed Steel
- ◆ Wheeled Stand with Storage



Full-Sized Results in a Compact Design

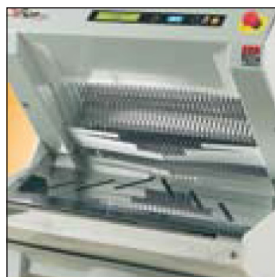
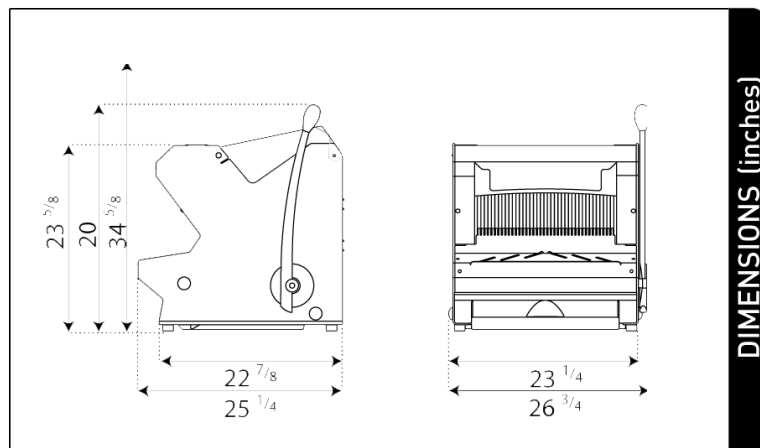
The PICO and PICOMATIC are true little giants! Featuring efficient design and sturdy construction, they can handle large round loaves of bread with ease. They are so compact that they'll fit easily in even the tightest space. The user-friendliness, slicing quality and ergonomic design of this table top bread slicer will no doubt win you over!



Technical Data

TABLE TOP BREAD SLICER PICO/PICOMATIC

	PICO 450	PICOMATIC 450
FEATURES		
Max. Loaf Dim. (L x W x H) (in inches)	17.3 x 11.8 x 7.1	17.3 x 11.8 x 7.1
Power Output (in kW)	0.55	0.55
Net Weight (in Lbs.)	231	231
CHOICE OF		
Slice Thickness	3/8" to 1"	3/8" to 1"
Loaf Height	Low, Normal, High	Low, Normal, High
Type of Motor 110/240V	single or three-phases	single or three-phases
OPTION		
Base with casters (24.4 inches)	•	•
Safety Lid	•	•



The Pico and Picomatic can easily take large round loaves. Once cut the slices are held by the flaps.



A thermoformed tray made out of a high-strength techno polymer will collect up to 7 liters of crumbs.



When closed, the optional safety lid triggers start-up. It opens automatically when slicing is complete.



Also available, optional base mounted on sturdy casters with an built-in shelf for bag storage.

LIMITED WARRANTY

This product is warranted to the original purchaser to be free from material and workmanship defects. This warranty extends for a period of one (1) year from the date of purchase on parts and labor and 90 days on electrical components. For additional information or if you have any questions, please do not hesitate to contact us toll free at 1-800-878-4070.

Please note, specifications are subject to change without notice as we continually work to improve our equipment.



1C Enterprise Place, Hicksville, NY 11801-5356 ♦ Ph: (516) 681-1500 ♦ Fx: (516) 681-1510
1-800-878-4070 ♦ www.empirebake.com ♦ info@empirebake.com