



## OVEN LOADER **PSA-1/PSA-2**



### **Load and Unload Your Deck Oven With Ease!**

**Empire PSA Oven Loaders**, available in semi-automatic and fully automatic models, are the perfect compliment to our complete line of stone hearth deck ovens. The Semi-Automatic **PSA-1** utilizes an advanced counterweight system to raise and lower the mechanism smoothly, while the Fully Automatic **PSA-2** features state-of-the art motorized lifting controls to maneuver at the push of a button. Both models eliminate the need for hand peels and manual setters, making the loading and unloading of breads, rolls and pan goods a snap. When you need to increase the efficiency and productivity of your oven, count on an **Empire PSA Oven Loader!**

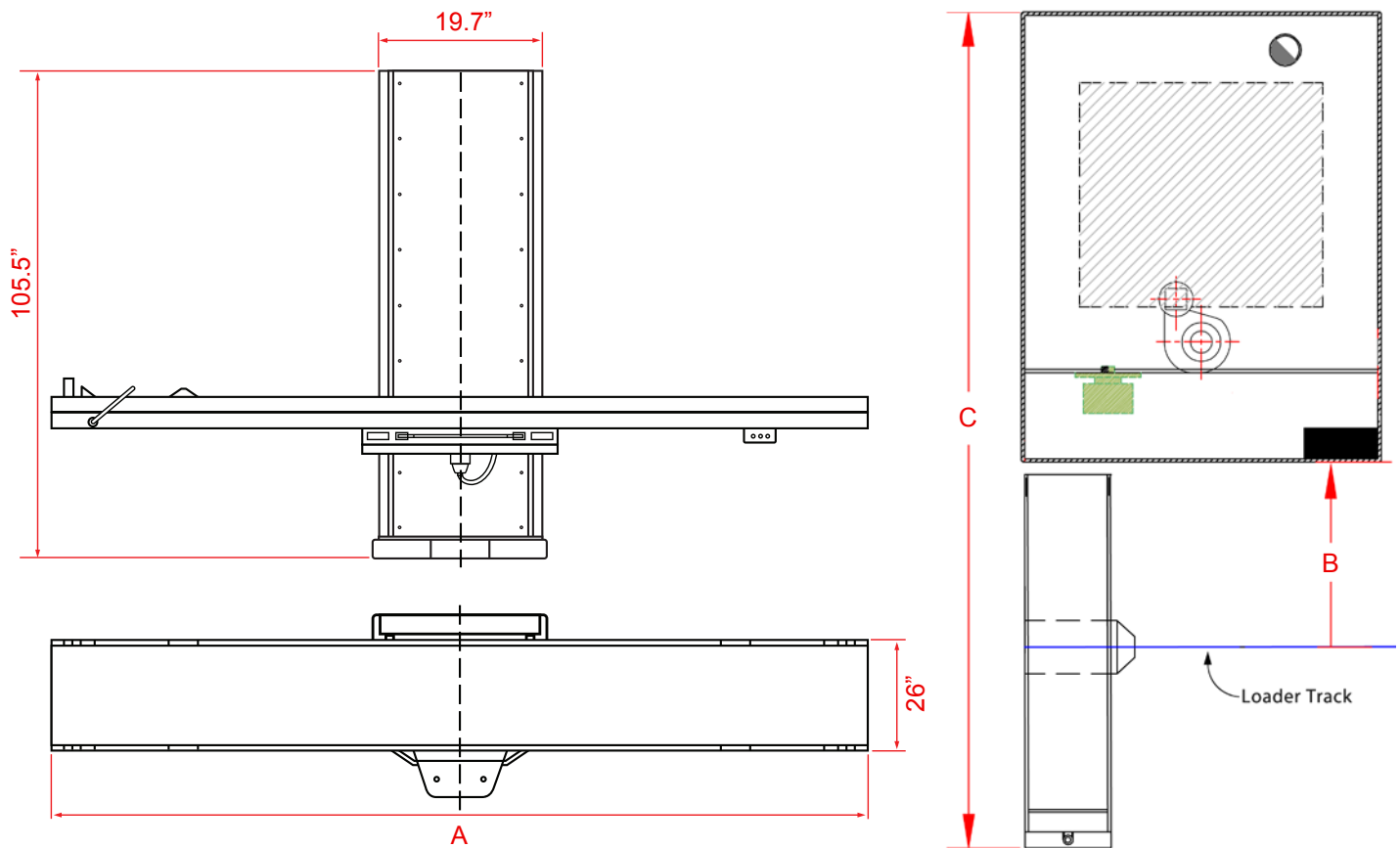
### **Features**

- ◆ Simplifies oven loading and unloading.
- ◆ Perfect for breads, rolls and pan goods.
- ◆ Fits all LF, LFK and LFKR oven models.
- ◆ Eliminates the need for hand peels and manual loaders.
- ◆ Powered in-and-out operation.
- ◆ Precision balanced counterweight lifting system. (PSA-1)
- ◆ Motorized lifting system with push button control. (PSA-2)

# Technical Data

## OVEN LOADER PSA-1/PSA-2

Oven Models	Oven Deck Depth	Overall Loader Length (A)	Track Distance from Oven (B)	Overall Length (C)	Specifications
	in.	in.	in.	in.	
LF / LFK / LFKR*  *Please refer to the oven cut sheets for specific model information and sizing details.	63"	113.2"	58.1"	233.3"	<b>Belt Width:</b> 22"  <b>Weight:</b> PSA-1: 880 lbs PSA-2: 990 lbs  <b>Electrical (PSA-1):</b> 220V / 3 Phase / 60 Hz 2.8 Amp Service  <b>Electrical (PSA-2):</b> 220V / 3 Phase / 60 Hz 5 Amp Service  <b>Connection:</b> Suggested installation requires a separate and dedicated circuit for loader installation. All installations must adhere to all applicable codes.
	77.6" - 78.7"	127.8"	65.4"	262.4" - 263.3"	
	86.2"	136.4"	69.7"	279.7"	
	94.5" - 94.9"	145.1"	74.0"	297.0" - 297.4"	
	103.5"	153.7"	78.3"	314.4"	
	112.2"	162.4"	82.7"	331.7"	
	116.5"	166.7"	84.8"	340.4"	
125.2"	175.4"	89.2"	357.7"		



### LIMITED WARRANTY

This product is warranted to the original purchaser to be free from material and workmanship defects. This warranty extends for a period of one (1) year from the date of purchase on parts and labor and 90 days on electrical components. For additional information or if you have any questions, please do not hesitate to contact us toll free at 1-800-878-4070.

Please note, specifications are subject to change without notice as we continually work to improve our equipment.